

ASK Series

Interactive All-in-one Teaching Whiteboard Digital Signage



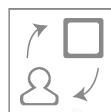
Video Conference



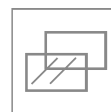
Touch



Wireless
Projection



Human-Computer
Interaction



Tempered Glass



Online Annotation

USER[®]

Special LCD Display Solutions Supplier
<http://www.usersdt.net>

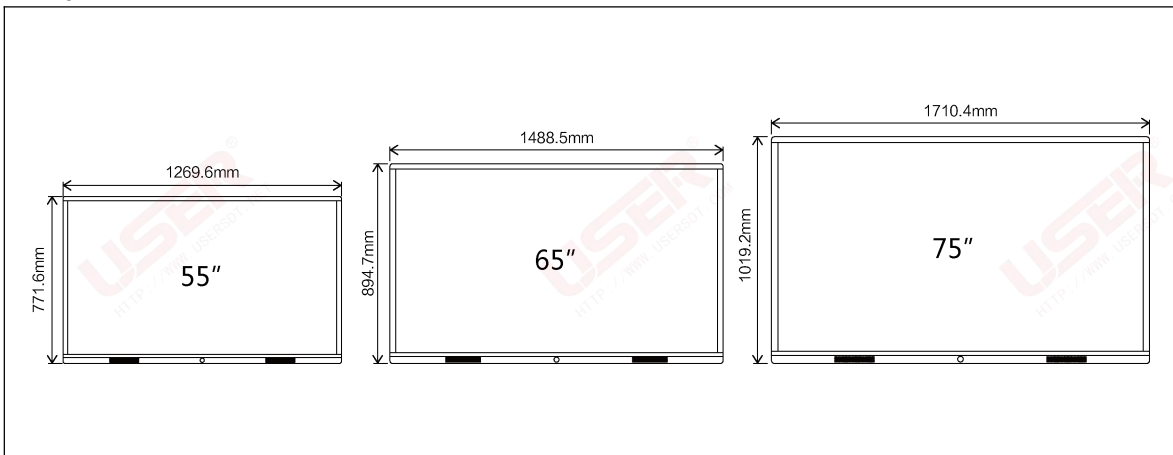
1. High quality explosion-proof glass, high light transmittance, anti-violent, scratch-resistant, dust-proof and waterproof;
2. Professional chip and processing technology to ensure high image quality;
3. Industrial high-performance LCD screen ensures high image clarity, high brightness and stability of use;
4. The shell is made of high-strength steel, which is ultra-thin, beautiful and strong, and has excellent protection performance;
5. The surface is fine-grained, smooth and even, with good anti-rust and wear-resisting functions;
6. A variety of signal interfaces, supporting a variety of signal input / output;
7. Adopt industrial industrial control board, Android system.

FUNCTIONS & PARAMETERS

Body Structures



Body Size



FUNCTIONS & PARAMETERS

Technical Parameter

Product model		US-AD****			
Screen parameters	Size	55" - 75"	Audio system	Horn	5W(8Ω)
	Back type	DLED		Sound mode	standard
	Display Proportion	16: 9	Output Interface	PC output interface	RJ45 1、USB 2
	Physical resolution	3840X2160		L/R Audio output	1 RCA X2
	Color depth	16.7M	Power consumption	Input voltage	100-240V ~ 50/60Hz 2.5A
	Viewing angle	178° / 178°		Standby power / rated power	≤0.5W/≤180W
	Brightness	350 cd/m ²	Cabinet	Material	SPCC
	Contrast	3000:1		Exterior color	Black (default) gold silver
	Response time	9.5ms	External conditions	Working temperature / humidity	0°C~50°C/0%~90%
	Service time	30000 hours		Storage temperature / humidity	-10°C~60°C/5--95%

Power consumption table

Screen size Series	Power											
	18.5 inch	21.5 inch	27 inch	32 inch	43 inch	49 inch	55 inch	65 inch	75 inch	86 inch	98 inch	
Standalone version	25W	30W	50W	70W	85W	100W	115W	180W	240W	380W	550W	
Android system	25W	30W	50W	70W	85W	100W	115W	180W	240W	380W	550W	
Low power consumption One machine series	38W	40W	50W	90W	100W	120W	135W	180W	260W	300W	500W	
Desktop machine series	95W	98W	110W	150W	170W	190W	220W	250W	330W	390W	600W	

Standalone OS Solutions

Version	CPU	Internal Storage	Out Storage	Interface	System supporting
Display Version	E9-B11/ E9-BNC/E6J-AV	No storage	USB /HDD/SSD	HDMI/VGA/DVI/USB	Android /Windows/Linux OS
Standalone Version	Mstar V56	No storage (8G/16G available)	support SD card and USB Flash	HDMI/USB/SD	Only Standalone OS

FUNCTIONS & PARAMETERS

Android OS Solution

Configuration	CPU	Chip architecture	Processor	Maximum resolution support	System Version	Storage
Basic level	A20	Cortex-A7	Dual-Core	1080P	Android 4.1	512Mb +8G
	A33	CortexTM-A7	Quad-core	1080P	Android 4.4	512Mb/1Gb +8G
	A64	Cortex-A53	Quad-core	1080P	Android 5.1	512Mb/1Gb +8G
Middle level	RK3128	Cortex-A7	Quad-Core	1080P	Android 6.0	512Mb/1Gb +8G
	RK3368	Coretex-A53	Octa-Core	2K/4K	Android 6.0	1Gb/2Gb +8G
	RK3188	Cortex A9	Quad-Core	2K	Android 6.0	1Gb/2Gb +8G
Top level	RK3288	Cortex-A17	Quad-Core	4K	Android 6.0	2Gb +8G
	RK3399	Cortex-A72	Dual-core +Quad-core	4K	Android 7.1	4Gb +16G
	Amlogic T960X	Cortex-A53	Quad-Core	4K	Android 7.1	2Gb+8G

For more details

Please visit our official website



Official wechat QR code



Official website QR code

USER Special Display Technologies Co.,Ltd

Factory: 3F,Block7, Xinxintian Industrial Park, Xinsha Road, Bao' an, Shenzhen, Guangdong, China, 518104

Tel: +86-0755-89810577 +86-18923710941

Fax: +86-0755-89810577 Skype: Jackyfengliu

Web: <http://www.usersdt.com> E-mail: Jacky@usersdt.com
<http://www.usersdt.net>